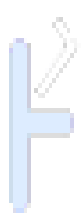


**CATALOGUE 2012 - PART 5
BALL VALVES - "Y" STRAINERS – SIGHT GLASSES**


Trust
Valves and Flow Control Specialist

**BALL VALVES TWO-PIECES BODY BS 5351
NPT or ISO 7/1 ends – Class 800**

**BALL VALVES THREE-PIECES BODY
SW or NPT or ISO 7/1 ends – Class 800**

**BALL VALVES SPLIT BODY BS 5351 - FLANGED ANSI
150-300-600- UNI PN16-25-40**

**BALL VALVES WAFER BODY STYLE
ANSI 150-300-UNI PN16-25-40**

**"Y" STRAINER BODY STYLE
ANSI 150-300-UNI PN16-25-40 – CL.800**

**SIGHT GLASS
PN 16 /PN 25 – Class 150**

**BALL VALVES TWO-PIECES BODY BS 5351
NPT or ISO 7/1 ends – Class 800**

No.	Part.
1	Body
2	Body
3	Lateral body
4	Stem
5	Ball
6	Seat
7	Body gasket
8	Stem gasket
9	Washer
10	Lever
11	Lever nut and washer
12	Springs
13	Pin
14	Detention slab

		Fig. 5100 – Ball Valve two pieces body BS 5351								
		NPT or ISO 7/1 ends – Class 800								
Ø		8	10	15	20	25	32	40	50	
End to End	S mm.	50	60	75	80	90	110	120	140	
Center to Top	H mm.	46	46	63	65	76	80	98	108	
Lever	M mm.	120	120	145	145	185	185	280	280	
Approx Weight	Kg.	0,6	0,65	1,2	1,4	2,2	3,2	5,2	7,8	

**BALL VALVES THREE-PIECES BODY
SW or NPT or ISO 7/1 ends – Class 800**

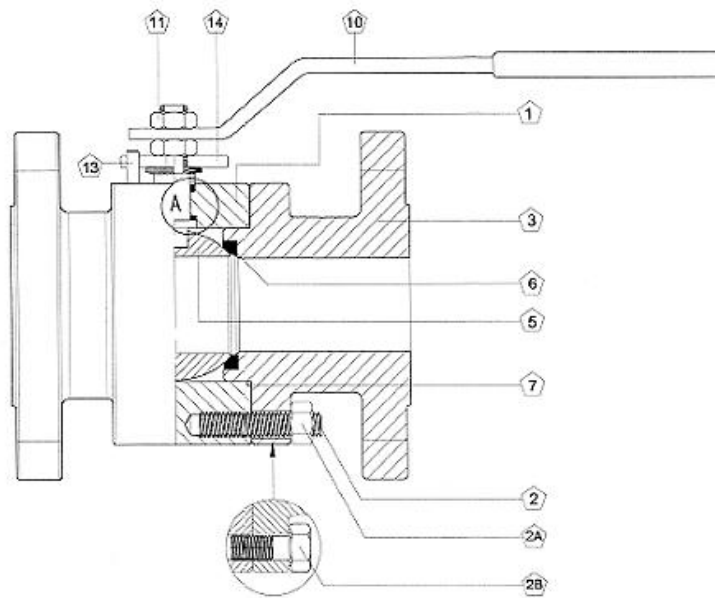
DETAIL - DETTAGLIO A

Antistatic device

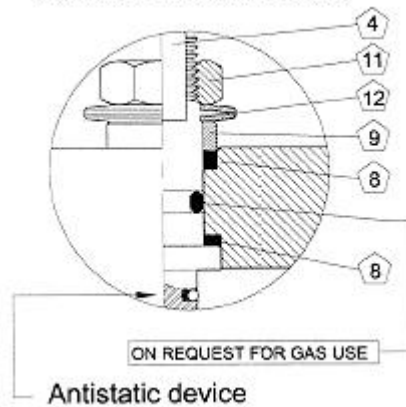
No.	Part.
1	Body
2	Stud bolt
2A	Nut
3	Lateral body
4	Stem
5	Ball
6	Seat
7	Body gasket
8	Stem gasket
9	Washer
10	Lever
11	Lever nut and washer
12	Springs
13	Pin
14	Detention slab

		Fig. 5200 – Ball Valves Three –Pieces Body											
		SW or NPT or ISO 7/1 ends – Class 800											
		Ø	8	10	15	20	25	32	40	50	65	80	100
End to End	S mm.		50	60	75	80	90	110	120	140	185	205	240
Center to Top	H mm.		46	46	66	68	85	91	106	116	140	148	174
Lever	M mm.		120	120	145	145	185	185	280	280	370	370	470
Range	PN		100	100	64	64	40	40	40	40	25	25	20
Approx Weight	Kg.		0.3	0.35	0.6	0.7	1.2	1.7	2.9	4.4	10	14	22

BALL VALVES SPLIT BODY BS 5351 – FLANGED ANSI 150-300-600- UNI PN16-25-40



DETAIL - DETTAGLIO A



No.	Part.
1	Body
2	Stud bolt
2A	Nut
2B	Screw
3	Lateral body
4	Stem
5	Ball
6	Seat
7	Body gasket
8	Stem gasket
9	Washer
10	Lever
11	Lever nut and washer
12	Springs
13	Pin
14	Detention slab

		Fig. 5300 – Ball Valves Split Body BS 5351 – Flanged Ends											
		NP 16/40/RF flanged ends											
Ø		15	20	25	32	40	50	65	80	100	125	150	200
End to End	S mm.	115	120	125	130	140	150	170	180	190	325	350	400
Center to Top	H mm.	86	88	113	119	110	120	144	152	174	188	256	294
Lever	M mm.	145	145	185	185	280	280	370	370	470	470	600	745
Approx Weight	Kg.	2.7	3.7	4.6	7.2	7.7	12	20	25	30	58	92	135

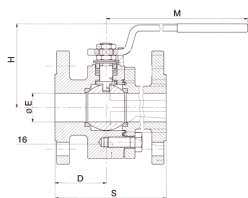


		Fig. 5305 - Ball Valves Split Body BS 5351 – Flanged Ends											
		ANSI 150/RF flanged ends											
Ø		15	20	25	32	40	50	65	80	100	125	150	200
End to End	S mm.	108	117	127	140	165	178	190	203	229	254	267	419
Center to Top	H mm.	86	88	113	119	110	120	144	152	174	188	256	294
Lever	M mm.	145	145	185	185	280	280	370	370	470	650	750	900
Approx Weight	Kg.	2.6	3.6	4.7	6.6	9	15	22	28	34	50	86	140

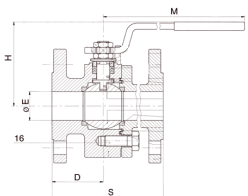


		Fig. 5310 - Ball Valves Split Body BS 5351 – Flanged Ends											
		ANSI 300/RF flanged ends											
Ø		15	20	25	32	40	50	65	80	100	125	150	
End to End	S mm.	140	152	165	180	191	216	241	283	305	381	403	
Center to Top	H mm.	86	88	113	119	110	120	144	152	174	188	256	
Lever	M mm.	150	185	185	280	280	280	380	380	480	480	480	
Approx Weight	Kg.	4,7	5,8	7	11	14	20	25	40	57	72	91	

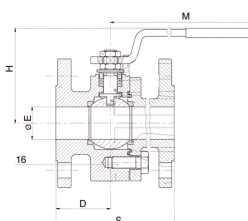
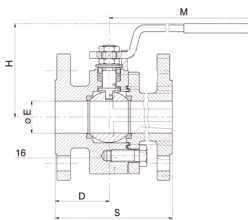
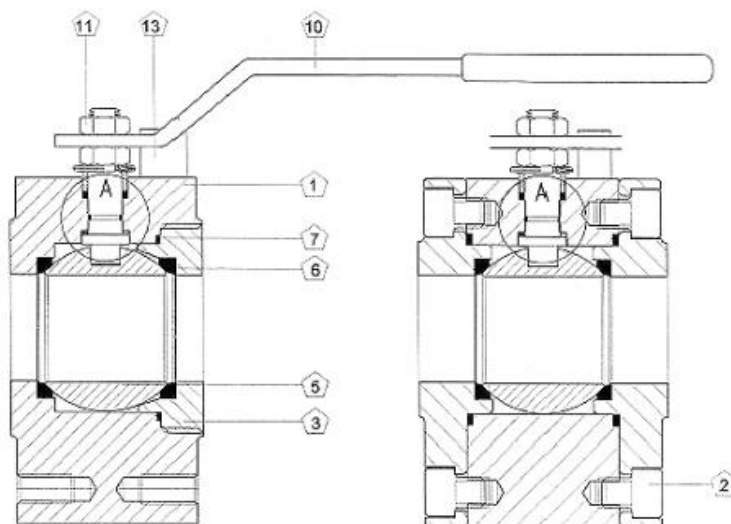


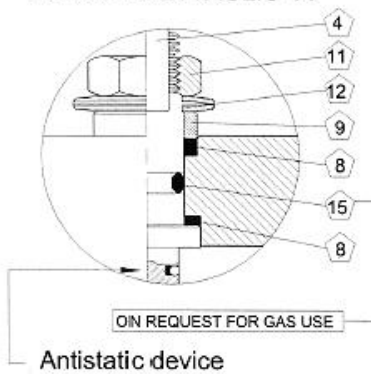
		Fig. 5315 - Ball Valves Split Body BS 5351 – Flanged Ends									
		ANSI 600/RF flanged ends									
Ø		15	20	25	32	40	50	65	80	100	
End to End	S mm.	165	190	216	229	242	292	330	356	432	
Center to Top	H mm.	86	88	113	119	110	120	144	152	174	
Lever	M mm.	150	185	185	280	280	280	380	380	480	
Approx Weight.	Kg.	5,2	6,4	7,6	13	16	23	29	46	65	



**BALL VALVES WAFER BODY STYLE
ANSI 150-300-UNI PN16-25-40**



DETAIL - DETTAGLIO A



No.	Part.
1	Body
2	Screw
3	Lateral body
4	Stem
5	Ball
6	Seat
7	Body gasket
8	Stem gasket
9	Washer
10	Lever
11	Lever nut and washer
12	Springs
13	Pin
15	Stem O-RING

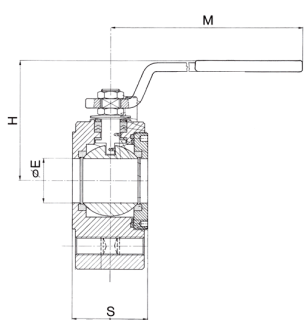


Fig. 5500 – Ball Valves Wafer Body

UNI PN16/40 - ANSI 150-300

Ø		15	20	25	32	40	50	65	80	100	125	150
End to End	S mm.	35	42	46	55	66	72	98	120	140	177	210
Center to Top	H mm.	78	87	91	106	111	120	157	161	181	205	220
Lever	M mm.	150	185	185	280	280	280	380	380	480	480	480
Approx Weight	Kg.	1,5	2	2,7	3,8	6,5	8	15	20	30	47	69

**"Y" STRAINER BODY STYLE
ANSI 150-300-UNI PN16-25-40 – CL.800**

Fig. 5700 Forged steel Y strainer Class 800 - SW or NPT ends

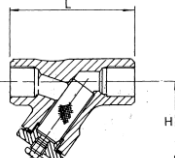
	Ø	1/2"	3/4"	1"	1.1/2"
	L mm.	90	110	130	160
	H mm.	60	80	110	130
	Kg.	1.00	2.01	3.08	7.07

Fig. 5710 Cast steel Y strainer Class 150 RF flanged ends

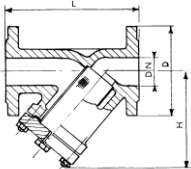
	Ø	2"	3"	4"	6"	8"	10"	12"	14"	16"	18"
	L mm.	203	241	292	406	495	622	699	787	914	914
	H mm.	165	200	250	315	460	560	640	720	800	880
	Kg.	13	22	32	58	100	162	260	360	480	600

Fig. 5720 Cast steel Y strainer Class 300 RF flanged ends

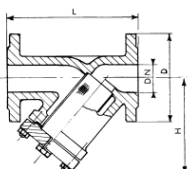
	Ø	2"	3"	4"	6"	8"	10"	12"
	L mm.	267	318	356	445	558	622	711
	H mm.	185	240	260	325	460	560	690
	Kg.	16	39	55	88	137	215	320

Fig. 5730 Cast iron Y strainer PN16 UNI 2223/29 flanged ends

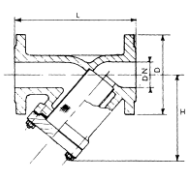
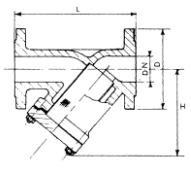
	DN	15	20	25	40	50	65	80	100	125	150	200	250
	L mm.	130	150	160	200	290	290	310	350	400	480	600	730
	H mm.	80	85	105	130	140	205	225	230	280	310	400	515
	Kg.	3	4	5	8	11	16	18	27	35	47	85	145

Fig. 5740 Cast steel Y strainer PN 40 DIN 2526/C flanged ends

	DN	15	20	25	40	50	65	80	100	125	150	200	250
	L mm.	130	150	160	200	290	290	310	350	400	480	600	730
	H mm.	80	85	105	130	140	205	225	230	280	310	400	515
	Kg.	3	4	5	8	11	16	18	27	35	47	85	145

**SIGHT GLASS
PN 16 /PN 25 – Class 150**

- CE Marked and fully compliant with the Pressure Equipment Directive
- With threaded or flange connections
- Pressures up to 16 bar (higher available)



Fig. 5800 – Cast Iron Sight Glass PN 16

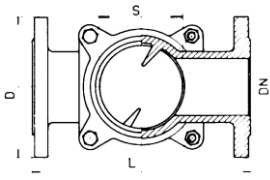
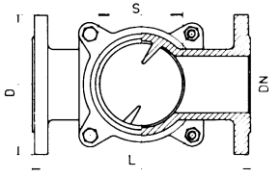
	DN	15	20	25	40	50	65	80	100	125	150	200	250
	L mm.	130	150	160	200	290	290	310	350	400	480	600	730
	H mm.	80	85	105	130	140	205	225	230	280	310	400	515
	Kg.	3	4	5	7	9	17	18	23	50	63	120	160

Fig. 5810 – Cast Steel Sight Glass PN 25

	DN	15	20	25	40	50	65	80	100	125	150	200	250
	L mm.	130	150	160	200	290	290	310	350	400	480	600	730
	H mm.	44	44	44	50	60	90	90	110	142	160	220	270
	Kg.	3	4	5	8	11	17	20	27	52	68	125	165