

**CATALOGUE 2012 - PART 4
CHEMICAL**


Trust
Valves and Flow Control Specialist

**BUTTERLY VALVES WAFER & LUG
SS316 DISC- PTFE SEAT – 2 PIECES BODY**

**BUTTERFLY VALVES WAFER & LUG
PFA COVERED DISC –PTFE – 2 PIECES BODY**

**PLUG VALVES
SLEEVED**

**PLUG VALVES
FULLY LINED**

**LINED (PFA / FEP) BALL VALVES
2 PIECE DESIGN AS PER ANSI B16.1**

**BUTTERFLY VALVES WAFER & LUG
SS316 DISC- PTFE SEAT - 2 PIECES BODY**

**BUTTERFLY VALVES WAFER & LUG
PFA COVERED DISC -PTFE - 2 PIECS BODY**

	No.	Part.
	1	Body
	2	Seat
	3	Elastomer insert
	4	Bearing
	5	Trust collar
	6	Spring washer
	7	O-ring
	8	Chevron seal
	9	Seal
	10	Plug screw
	11	Disc/Shaft
	12	Lower shaft stup
	13	Wiper ring
	14	Screw

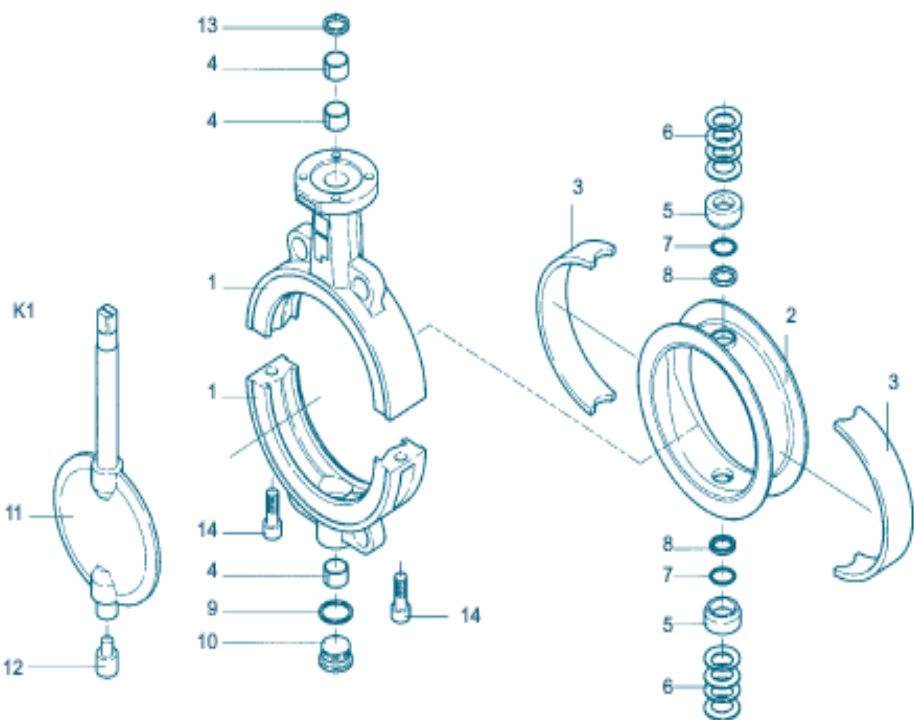


		Fig. 4100 – Butterfly valves 2 Pieces body WAFER TYPE								
		Ø	2"	2.1/2"	3"	4"	5"	6"	8"	10"
End to End	mm.	46	46	46	52	56	56	60	68	78
Body large	D mm.	139	139	159	193	220	252	311	382	434
Height	C mm.	236	236	253	288	314	346	410	477	532
Approx Weight	Kg.	3	3,7	4,5	6	8	9,5	15	24	34

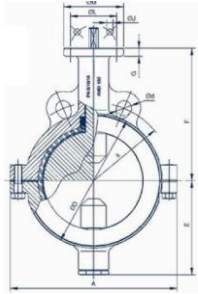
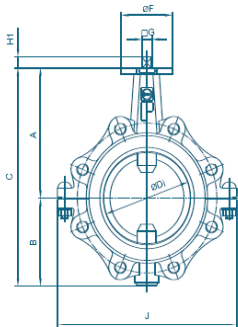


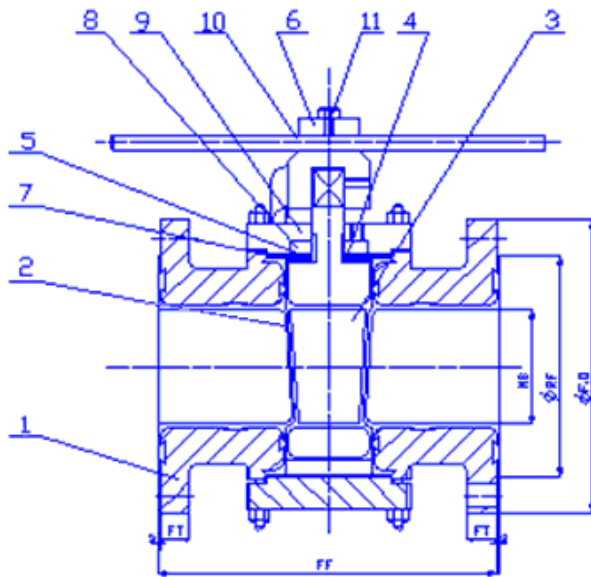
		Fig. 4200 – Butterfly valves 2 Pieces body LUG TYPE								
		Ø	2"	2.1/2"	3"	4"	5"	6"	8"	10"
End to End	mm.	46	46	46	52	56	56	60	68	78
Body large	D mm.	160	176	230	255	290	310	390	480	550
Height	C mm.	215	235	265	298	325	352	409	492	540
Approx Weight	Kg.	4	4,5	6	10	12	14	22	37	55



BODY/DISC & SEAT MATERIAL			
Body		Disc	Seat
Ductile Iron	GGG40	SS316	PTFE
Carbon Steel	ASTM A216 Gr.WCB	SS316+PTFE	
Steinless steel	CF8M	Hastelloy C4	
		Titan Gr.II	
		F51	

BUTTERFLY VALVES 2 pieces body - WAFER & LUG

**PLUG VALVES
SLEEVED**



No.	Part.
1	Valve Body
2	Sleeve
3	Plug
4	Teflon Diaphragm
5	Metal Diaphragm
6	Handle Cup
7	Teflon Diaphragm
8	Thrust Collar
9	Cover Plate
10	Handle Rod
11	Bolt

BODY/DISC & SEAT MATERIAL			
Body		Plug	Sleeve
Ductile Iron	GGG40	CF8	PTFE
Carbon Steel	ASTM A216 Gr.WCB	CF8M	
Steinless steel	CF8M, CF3M CN7M,CD4MCU,CF8	CF3M	
Cast Iron	GG25	CN7M	
		HASTELLOY C	
		MONEL	

		Fig. 4400 – Plug valve sleeved type #150 RF												
		Ø	½"	¾"	1"	1.½"	2"	2.½"	3"	4"	6"	8"	10"	12"
End to End	A (mm.)	108	117	127	165	178	190	203	229	267	292	330	356	
Approx Weight	Kg.	2,8	3,4	5	7	10,6	17,5	18,8	34	68	122	182	233	

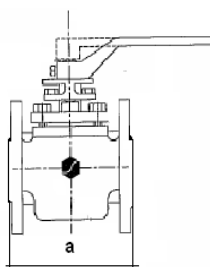
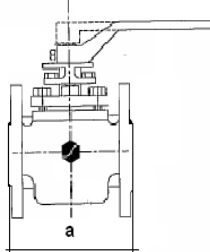
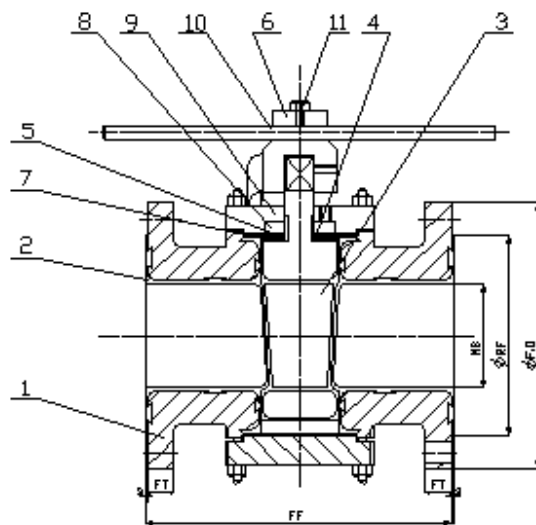


		Fig. 4410 – Plug valve sleeved type #300 RF												
		Ø	½"	¾"	1"	1.½"	2"	2.½"	3"	4"	6"	8"	10"	12"
End to End	A (mm.)	140	152	165	190	216	241	283	305	403	419	457	502	
Approx Weight	Kg.	3,5	4,5	8	11,7	13,5	27	31	65	104	149	206	335	



	No.	Part.
	1	TAPER PLUG The versatile design assures reduced turning torque and in-line seal adjustment.
	2	STEM SEAL Unique composite diaphragm provides secondary stem seal.
	3	PTFE SLEEVE Large seal area provides positive bubble tight shut-off and extended service life.
	4	RAISED LOCKING RIBS Raised ribs, grooves and recesses positively lock sleeve in the body.
5	RUGGED, HEAVY DUTY BODY Guaranteed long life. A wide range of materials from plain carbon steel to exotic alloys compatible with highly aggressive process mediums can be provided. End connections can be tailored to suit user's requirements.	

**PLUG VALVES
FULLY LINED**



No.	Part.
1	Valve Body
2	PFA/PTFE Lining
3	PTFE Lining Plug
4	Teflon Diaphragm
5	Metal Diaphragm
6	Handle Cup
7	Teflon Diaphragm
8	Thrust Collar
9	Cover Plate
10	Handle Rod
11	Bolt

BODY/DISC & SEAT MATERIAL			
	Body	Plug	Sleeve
Ductile Iron	GGG40 + PFA / GGG40 + FEP	GGG40 + PFA / GGG40 + FEP	PTFE
Carbon Steel	ASTM A216 Gr.WCB + PFA	ASTM A216 Gr.WCB + PFA	PTFE
	ASTM A216 Gr.WCB + FEP	ASTM A216 Gr.WCB + FEP	PTFE

		Fig. 4500 – Plug valve Fully Lined type #150 RF												
		Ø	½"	¾"	1"	1.½"	2"	2.½"	3"	4"	6"	8"	10"	12"
End to End	A (mm.)	108	117	127	165	178	190	203	229	267	298	330	356	
Approx Weight	Kg.	3	4	5,8	8	11,9	19	20	35,7	70	127	188	239	

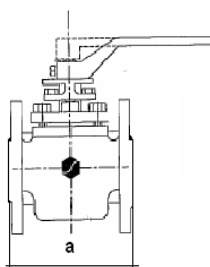
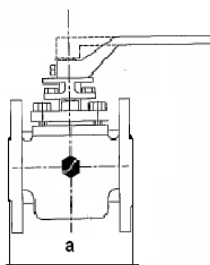


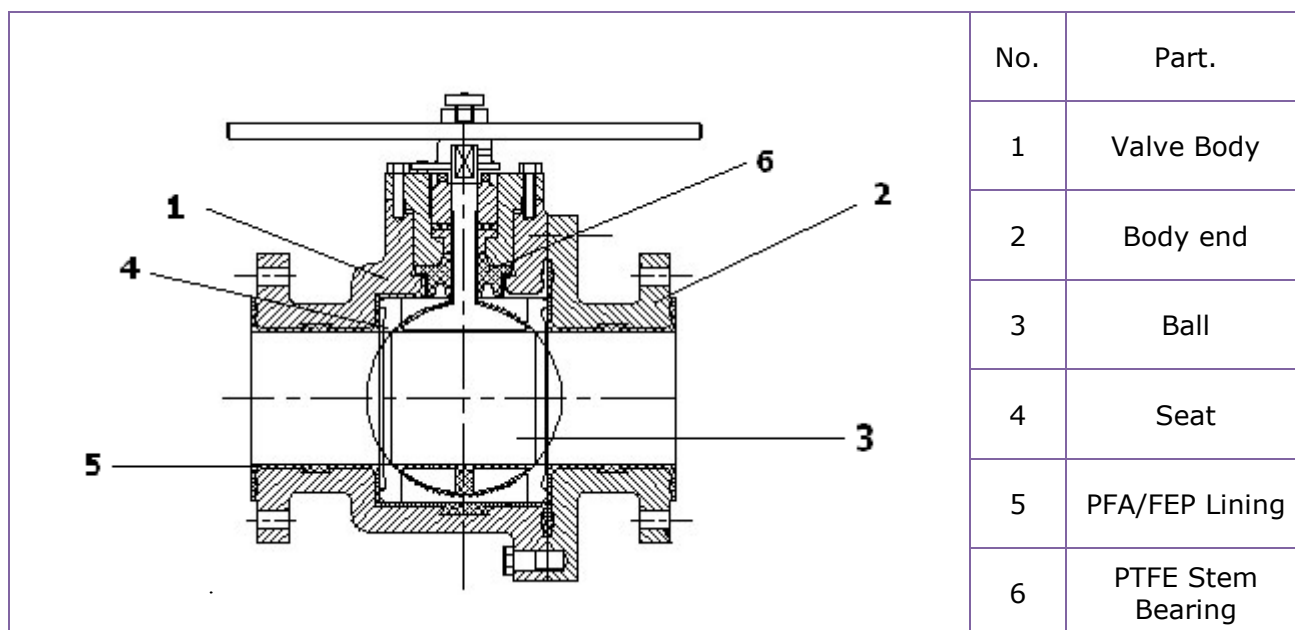
		Fig. 4510 – Plug valve Fully Lined type #300 RF												
		Ø	½"	¾"	1"	1.½"	2"	2.½"	3"	4"	6"	8"	10"	12"
End to End	A (mm.)	140	152	165	190	216	241	283	305	403	419	457	502	
Approx Weight	Kg.	3,5	4,5	8	11,7	13,5	27	31	65	104	149	206	335	



COMPONENTS AND DESIGN FEATURES		No.	Part.
	1	1	Diaphragm and wedge sub assembly view
	2	2	Anti-static eliminator assembly
	3	3	Exposed view of top side sealing arrangement
	4	4	Lining with tongue and groove

Note: 1. END CONNECTIONS, ANSI 150, ASA 150, B 16.5.
 2. Max. working temp. 180°C.
 3. All Lined Portion are spark Tested to 10,000V.

**LINED (PFA / FEP) BALL VALVES
2 PIECE DESIGN AS PER ANSI B16.1**



TECHNICAL		HYDROSTATIC TEST			
DESIGN	BS:5351	UNIT			AIR SET
FACE TO FACE	DIN 3202 F1 - SERIES	PSIG	450	325	100
FACE TO FACE	2 PIECES DESIGN ANSI B16.1	Kg/cm ²	30	20	7
FLANGE DRILLING	ANSI B16.5 CLASS 150				

Fig. 4700 – 2 piece design as per ANSI B16.1 & Drilled to ANSI B16.5

Class 150							
DN	15	20	25	40	50	80	100
FF	108	118	127	165	178	203	229
FD	89	98	108	127	152	191	229
RF	35	43	51	73	92	127	157
FT	11	11	11	14	16	19	24